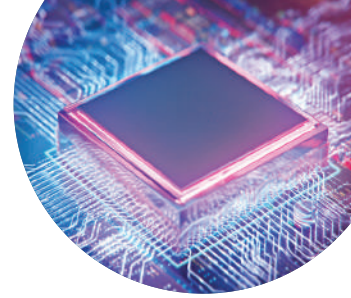


# UVC LED WATER STERILIZER



**SWZ**  
SMART WATER STERILIZER™  
UVC TECHNOLOGY



**SWZ**  
**SMART WATER STERILIZER**<sup>™</sup>  
UVC TECHNOLOGY

This advanced system  
**SMART WATER STERILIZER UVC TECHNOLOGY**<sup>™</sup>  
safeguards you against **BACTERIA** and **VIRUSES**.

The Spectrum smart water sterilizer UVC technology system disinfects water using ultraviolet light within the germicidal spectrum (approximately 260–280 nm). This wavelength range is highly effective at neutralizing microorganisms by penetrating their cells and disrupting structures. Once exposed, bacteria, viruses, protozoa, fungi, algae, and other microbes lose their ability to reproduce or cause disease.

As water passes through the UV chamber, disinfection occurs instantly and without the use of chemicals. The process does not alter the water's taste or composition. All Spectrum systems are designed to deliver an optimal ultraviolet dose of mJ/cm<sup>2</sup>, ensuring reliable microbial inactivation even during peak flow conditions.

Spectrum smart water sterilizer UVC LED systems represent a modern alternative to traditional mercury-based ultraviolet lamps and offer several key advantages:

- Mercury-free and environmentally responsible – No toxic metals, no special disposal requirements
- Instant performance – Full UV output is achieved immediately when water flows, without warm-up time
- Lower energy consumption – On-demand activation minimizes power usage and heat generation
- Extended service life – UV-C LEDs typically operate for 8 years, compared to roughly one year for mercury lamps

Spectrum smart water sterilizer UVC technology is a well-established technology used in hospitals, laboratories, and municipal water treatment plants worldwide. The process does not remove beneficial minerals and does not affect water taste, odor, or pH. The result is microbiologically safe drinking water.

**Easy maintenance.**  
**Smart technology.**  
**High performance.**



# UVC LED WATER STERILIZER

**SWZ**  
SMART WATER STERILIZER™  
UVC TECHNOLOGY

This advanced system  
**SMART WATER STERILIZER UVC TECHNOLOGY™**  
safeguards you against **BACTERIA** and **VIRUSES**.

**NEUTRALIZES**  
up to  
**99.999%**  
of  
**BACTERIA**  
&  
**VIRUSES**



## CLEAR APPEARANCE DOES NOT GUARANTEE SAFE DRINKING WATER

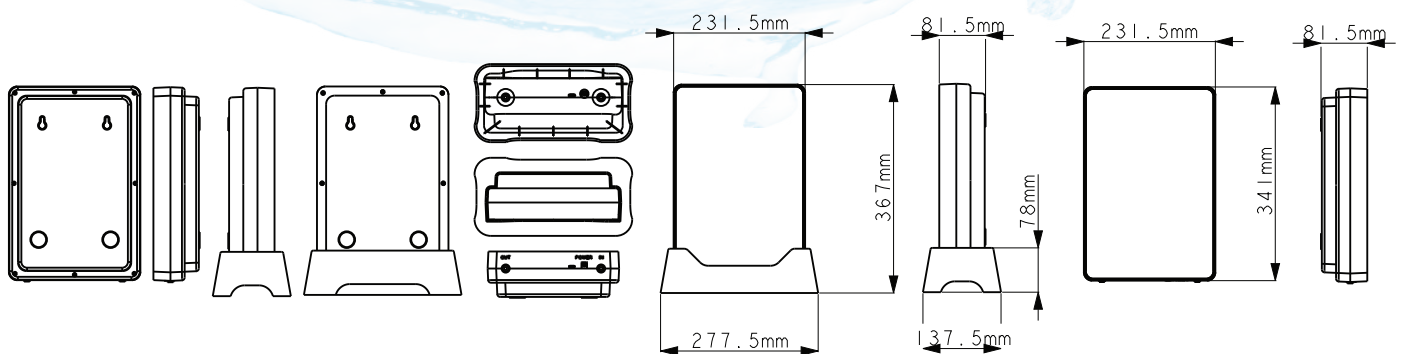
### KEY BENEFITS OF UVC WATER DISINFECTION

Ultraviolet treatment is one of the most effective technologies for neutralizing harmful microorganisms such as Legionella bacteria and parasites including Cryptosporidium (Crypto) and Giardia, which are highly resistant to chemical disinfectants. They can be reliably inactivated through controlled UV exposure, achieving reductions of up to 99.99%.

UV treatment does not introduce chemical by-products or secondary contaminants into the water, making it especially suitable for medical, laboratory, and sensitive applications where water purity is critical.

UV disinfection preserves the natural taste and odor of water, as no additives are involved in the treatment process.

The UVC LED WATER STERILIZER represents an advanced generation of compact, high-performance water purification technology.



HOME



YACHT



MEDICAL / LAB



RV



WC / LAVATORY



**DISINFECTATION RATE 99.999%**



## TECHNICAL DATA

Input Rating:	DC 12V
Dose:	48.2 mJ/cm <sup>2</sup>
Pipe Connection:	1/4" quick connect
Power Consumption:	14 W
Sterilization rate:	99.999 %
LED Life Time:	10,000 Hours
Max. Water Temperature:	40°C (104 °F)
Input Current:	500-800 mA
Operating Pressure:	0.1-0.4 MPa/14.5-58 psi/1-4 bar
Flow Rate:	1.0-5.0 L/min Standard 3.0 L/min, (depending on pressure)



ISO 9001:2015



## ITALY



+39 0522 1172233  
+39 366 9070671

[office@spectrum-water.com](mailto:office@spectrum-water.com)  
[www.spectrum-water.com](http://www.spectrum-water.com)

Via Antonio Bellelli 1  
42015 Fosfondo (RE)

## ROMANIA



+40 374 004 614  
+40 754 315 315

[office@spectrumwater.ro](mailto:office@spectrumwater.ro)  
[www.spectrumwater.ro](http://www.spectrumwater.ro)

21-23 Valea Cascadelor Street,  
Sector 6, 061511 Bucharest